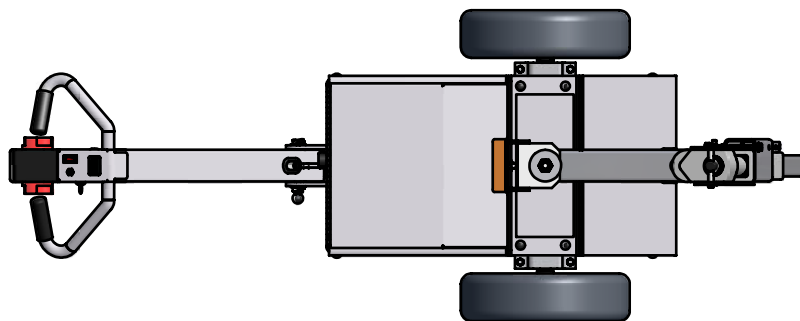


2

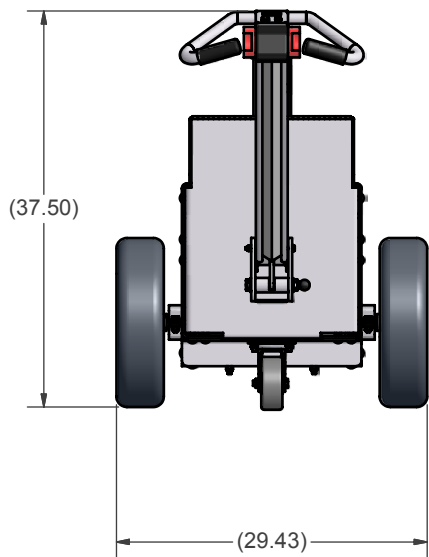


1



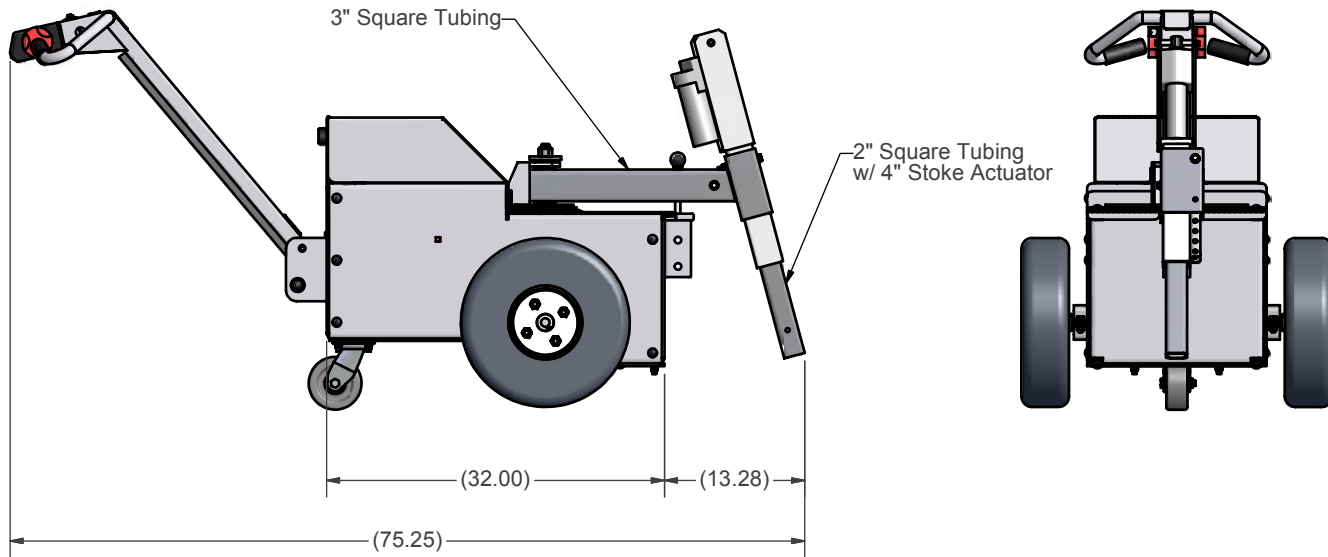
B

B



(37.50)

(29.43)



3" Square Tubing

2" Square Tubing w/ 4" Stoke Actuator

(32.00)

(13.28)

(75.25)



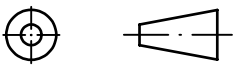
A

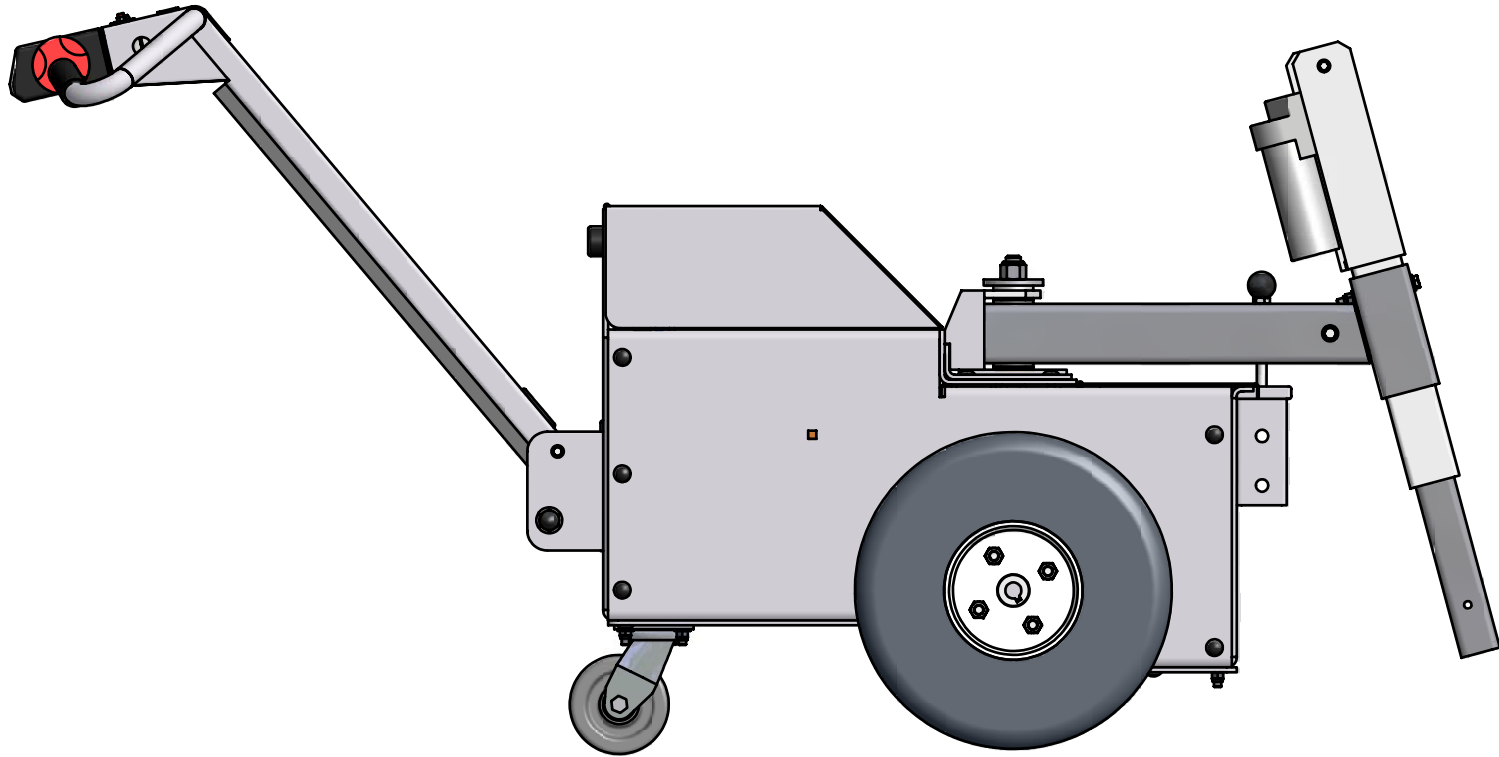
A

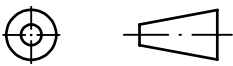
2

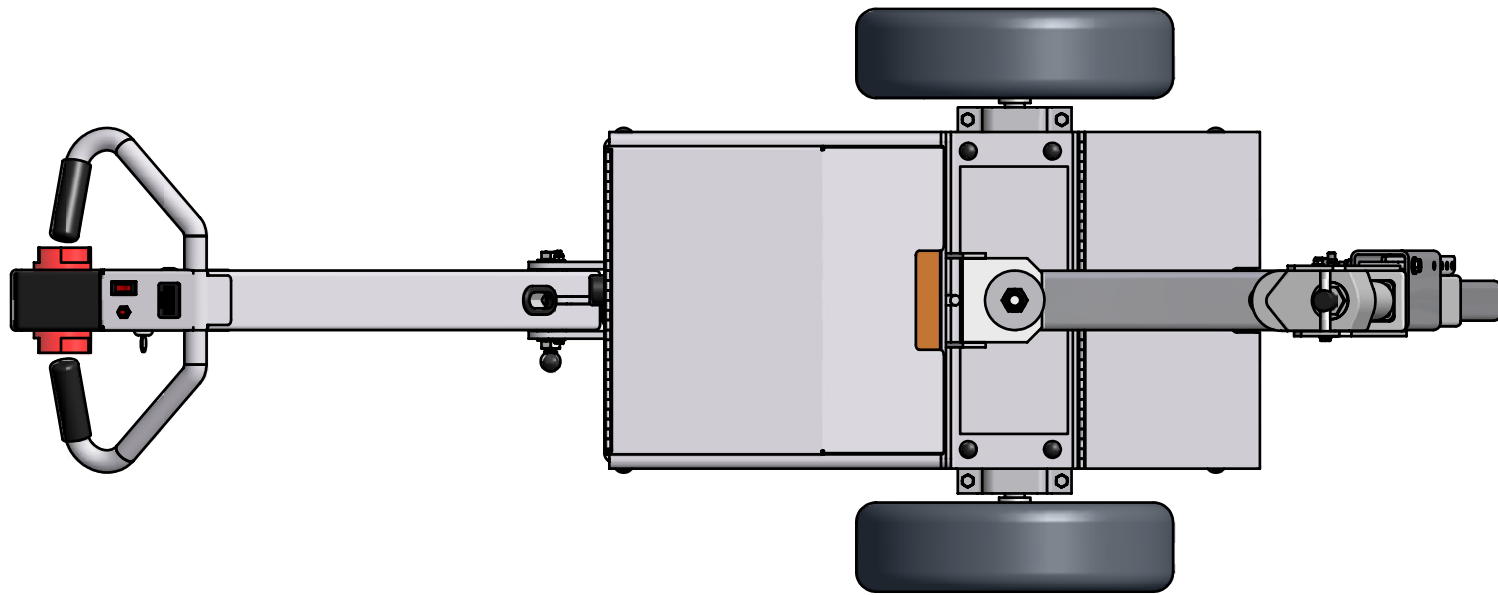


1

TOLERANCE UNLESS OTHERWISE SPECIFIED DECIMAL .X ± .020 .XX ± .010 .XXX ± .005 ANGULAR ± 1' MICROFINISH 125√	REVISION		LOAD MOVER INC TITLE XTRA	
	ECO #			
	ECO DATE	3/4/2009	MATERIAL	FINISH
	ECO BY		SCALE DWG NO	REV
THIRD ANGLE PROJECTION  BREAK ALL UNSPECIFIED EDGES .010" REMOVE ALL BURRS AND/OR FLASH	DRAWN S.S.		SHEET 1 OF 3	



TOLERANCE UNLESS OTHERWISE SPECIFIED DECIMAL .X ± .020 .XX ± .010 .XXX ± .005 ANGULAR ± 1' MICROFINISH 125 $\sqrt{\quad}$	REVISION		LOAD MOVER INC TITLE XTRA	
	ECO #			
	ECO DATE	3/4/2009	MATERIAL	FINISH
	ECO BY		SCALE	DWG NO
THIRD ANGLE PROJECTION  BREAK ALL UNSPECIFIED EDGES .010" REMOVE ALL BURRS AND/OR FLASH	DRAWN	S.S.	SHEET 2 OF 3	



TOLERANCE UNLESS OTHERWISE SPECIFIED DECIMAL .X ± .020 .XX ± .010 .XXX ± .005 ANGULAR ± 1' MICROFINISH 125 $\sqrt{\quad}$	REVISION		LOAD MOVER INC TITLE XTRA	
	ECO #			
	ECO DATE	3/4/2009	MATERIAL	FINISH
	ECO BY		SCALE	DWG NO
	THIRD ANGLE PROJECTION 		DRAWN S.S. SHEET 3 OF 3	
	BREAK ALL UNSPECIFIED EDGES .010" REMOVE ALL BURRS AND/OR FLASH			

2



1

B

B



A

A

2



1