

4

3

2

1

D

D

C

C

B

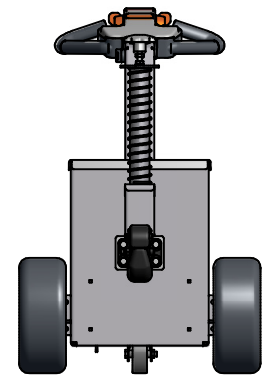
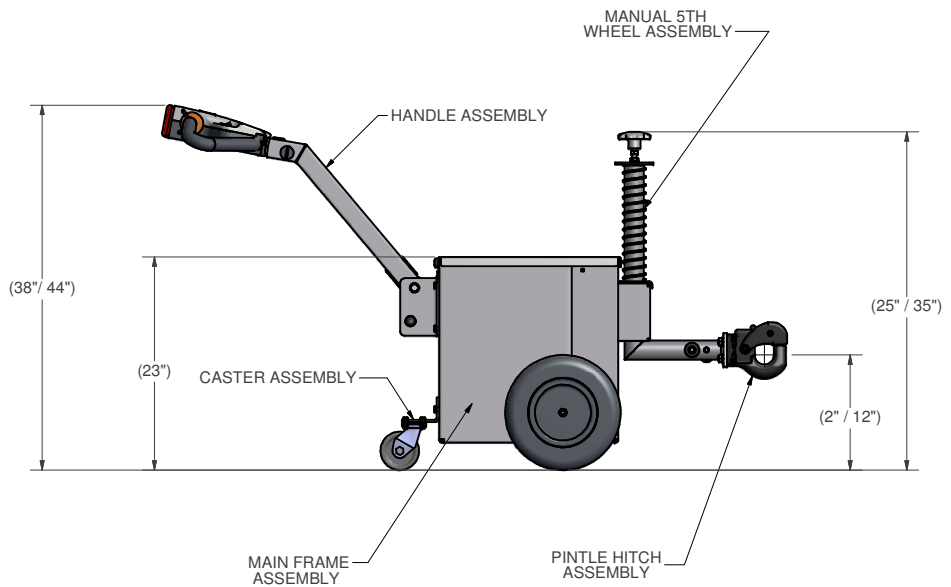
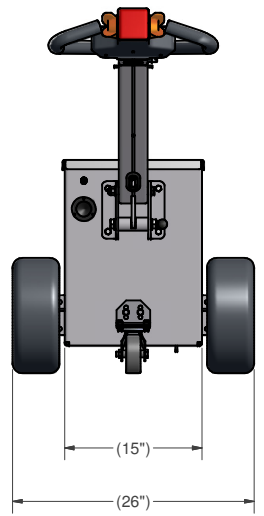
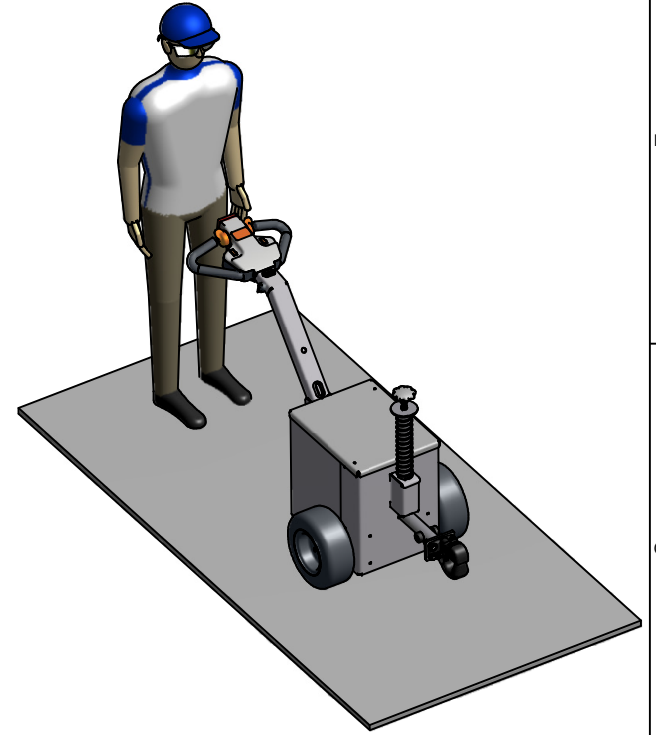
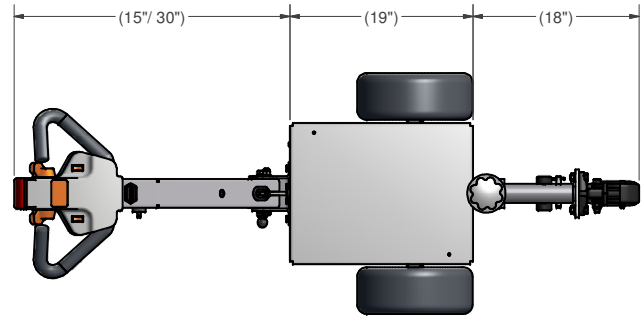
B

A

A

A

A



<b>LOAD MOVER INC</b>	
TITLE Xpress Plus w/ Manual 5th Wheel	
DWG NO LM0680CD	REV

4

3

2

1

